

BALL TYPE QUICK COUPLERS

BLACK FEMALE SOCKET



BBWF2*.....2".....	\$ 4.00
BBWF3*.....3".....	\$ 5.00
BBWF4*.....4".....	\$ 12.75
BBWF5*.....5".....	\$ 16.00
BBWF6*.....6".....	\$ 18.00
BBWF8*.....8".....	\$ 32.00

*Includes O-Ring

BLACK MALE BALL



BBWM2.....2".....	\$ 3.25
BBWM3.....3".....	\$ 3.50
BBWM4.....4".....	\$ 4.25
BBWM5.....5".....	\$ 6.00
BBWM6.....6".....	\$ 10.50
BBWM8.....8".....	\$ 18.00

"O" RING



BB02.....2".....	\$ 2.50
BB03.....3".....	\$ 2.65
BB04.....4".....	\$ 3.75
BB05.....5".....	\$ 5.00
BB06.....6".....	\$ 5.50
BB08.....8".....	\$ 6.00

GALVANIZED CLAMP



BBC2.....2".....	\$ 13.50
BBC3.....3".....	\$ 18.00
BBC4.....4".....	\$ 26.00
BBC5.....5".....	\$ 33.00
BBC6.....6".....	\$ 40.00
BBC8.....8".....	\$ 55.00

MALE BALL / HOSE INSERT



Galvanized	BBMH2.....2".....	\$ 9.00
	BBMH3.....3".....	\$ 14.50
	BBMH4.....4".....	\$ 23.00
	BBMH5.....5".....	\$ 44.00
	BBMH6.....6".....	\$ 50.00
	BBMH8.....8".....	\$ 58.00

FEMALE SOCKET / HOSE INSERT



Galvanized	BBFH2.....2".....	\$ 10.00
	BBFH3.....3".....	\$ 14.50
	BBFH4.....4".....	\$ 30.00
	BBFH5.....5".....	\$ 33.00
	BBFH6.....6".....	\$ 37.00
	BBFH8.....8".....	\$ 47.00

GALVANIZED 90° ELBOW



BBE902.....2".....	\$ 55.00
BBE903.....3".....	\$ 82.00
BBE904.....4".....	\$ 90.00
BBE905.....5".....	\$ 160.00
BBE906.....6".....	\$ 180.00
BBE908.....8".....	\$ 230.00

FEMALE SOCKET TO THREAD



Galvanized	BBFT2.....2".....	\$ 30.00
	BBFT3.....3".....	\$ 35.00
	BBFT4.....4".....	\$ 47.00
	BBFT5.....5".....	\$ 67.00
	BBFT6.....6".....	\$ 71.00

**CUSTOM IRRIGATION FITTINGS
MADE BY REQUEST.**

WADE RAIN KNOB STYLE FITTINGS Aluminum

LATCH TO HOSE SHANK



WRHM3.....3".....	\$ 51.00
WRHM4.....4".....	\$ 59.00
WRHM6.....6".....	\$ 66.00

COUPLER TO HOSE SHANK



WRCH3.....3".....	\$ 43.00
WRCH4.....4".....	\$ 48.00
WRCH6.....6".....	\$ 76.00

RING & LATCH ASSEMBLY



WRRL2.....2".....	\$ 9.00
WRRL3.....3".....	\$ 10.00
WRRL4.....4".....	\$ 14.00
WRRL5.....5".....	\$ 16.50
WRRL6.....6".....	\$ 20.00

FIELD REDUCERS (FEMALE X MALE)



WRR23.....2" x 3".....	\$ 90.00
WRR34.....3" x 4".....	\$ 110.00
WRR45.....4" x 5".....	\$ 134.00
WRR56.....5" x 6".....	\$ 162.00

DOUBLE END REDUCER COUPLER



WRRC32.....3" x 2".....	\$ 78.00
WRRC42.....4" x 2".....	\$ 85.00
WRRC43.....4" x 3".....	\$ 96.00
WRRC54.....5" x 4".....	\$ 108.00
WRRC65.....6" x 5".....	\$ 179.00

DOUBLE END COUPLER



WRC2.....2".....	\$ 42.00
WRC3.....3".....	\$ 56.00
WRC4.....4".....	\$ 68.00
WRC5.....5".....	\$ 87.00
WRC6.....6".....	\$ 116.00

WITH 1" RISER OUTLET

BOLT-ON COUPLER



WRBC2.....2".....	\$ 38.00
WRBC3.....3".....	\$ 51.00
WRBC4.....4".....	\$ 62.00
WRBC5.....5".....	\$ 96.00
WRBC6.....6".....	\$ 112.00

PUMP ADAPTER



WRPA2.....2".....	\$ 78.00
WRPA3.....3".....	\$ 92.00
WRPA4.....4".....	\$ 108.00
WRPA5.....5".....	\$ 124.00
WRPA6.....6".....	\$ 160.00

PLUGS



WRP2.....2".....	\$ 28.00
WRP3.....3".....	\$ 29.00
WRP4.....4".....	\$ 37.00
WRP5.....5".....	\$ 47.00
WRP6.....6".....	\$ 52.00

90° ELBOW



WRE902.....2".....	\$ 62.00
WRE903.....3".....	\$ 80.00
WRE904.....4".....	\$ 107.00
WRE905.....5".....	\$ 152.00
WRE906.....6".....	\$ 185.00

90° DOUBLE END ELBOW



WRDEE902.....2".....	\$ 90.00
WRDEE903.....3".....	\$ 108.00
WRDEE904.....4".....	\$ 130.00
WRDEE905.....5".....	\$ 180.00
WRDEE906.....6".....	\$ 228.00

KNOB STYLE VALVE OPENER



3-6-2 EH.....2".....	\$ 190.00
3-6-3 EH.....3".....	\$ 190.00
3-6-4 EH.....4".....	\$ 188.00
3-6-5 EH.....5".....	\$ 235.00
3-6-6 EH.....6".....	\$ 235.00

LINE TEE



WRLT2.....2".....	\$ 102.00
WRLT3.....3".....	\$ 116.00
WRLT4.....4".....	\$ 134.00
WRLT5.....5".....	\$ 188.00
WRLT6.....6".....	\$ 232.00

DOUBLE END TEE



WRDET2.....2".....	\$ 112.00
WRDET3.....3".....	\$ 124.00
WRDET4.....4".....	\$ 161.00
WRDET5.....5".....	\$ 200.00
WRDET6.....6".....	\$ 262.00

END TEE



WRET2.....2".....	\$ 100.00
WRET3.....3".....	\$ 109.00
WRET4.....4".....	\$ 125.00
WRET5.....5".....	\$ 207.00
WRET6.....6".....	\$ 225.00

90° ELBOW



HSE902.....2".....	\$ 70.00
HSE903.....3".....	\$ 78.00
HSE904.....4".....	\$ 110.00
HSE906.....6".....	\$ 178.00

45° ELBOW



HSE452.....2".....	\$ 70.00
HSE453.....3".....	\$ 78.00
HSE454.....4".....	\$ 109.00
HSE456.....6".....	\$ 162.00

REDUCER



HSR32.....3" x 2".....	\$ 51.00
HSR43.....4" x 3".....	\$ 66.00
HSR54.....5" x 4".....	\$ 85.00
HSR64.....6" x 4".....	\$ 95.00
HSR65.....6" x 5".....	\$ 100.00

END TEE



HSET2.....2".....	\$ 96.00
HSET3.....3".....	\$ 100.00
HSET4.....4".....	\$ 122.00
HSET5.....5".....	\$ 156.00
HSET6.....6".....	\$ 186.00

LINE TEE



HSLT2.....2".....	\$ 102.00
HSLT3.....3".....	\$ 104.00
HSLT4.....4".....	\$ 132.00
HSLT5.....5".....	\$ 145.00
HSLT6.....6".....	\$ 186.00

PLUG



HSP2.....2".....	\$ 28.00
HSP3.....3".....	\$ 33.00
HSP4.....4".....	\$ 45.00
HSP5.....5".....	\$ 53.00
HSP6.....6".....	\$ 61.00

PUMP ADAPTER



HSPA22.....2" x 2".....	\$ 27.00
HSPA23.....2" x 3".....	\$ 41.00
HSPA33.....3" x 3".....	\$ 42.00
HSPA34.....3" x 4".....	\$ 55.00
HSPA44.....4" x 4".....	\$ 57.00

HOSE TO COUPLER ADAPTER



HSHC2.....2".....	\$ 34.00
HSHC3.....3".....	\$ 35.00
HSHC4.....4".....	\$ 41.00
HSHC5.....5".....	\$ 54.00
HSHC6.....6".....	\$ 62.00

HOSE TO MALE END ADAPTER



HSHM2.....2".....	\$ 39.00
HSHM3.....3".....	\$ 41.00
HSHM4.....4".....	\$ 44.00
HSHM5.....5".....	\$ 64.00
HSHM6.....6".....	\$ 71.00

A & M Hook Style

ALUMINUM

DOUBLE END COUPLER



HSDEC2.....2".....	\$ 54.00
HSDEC3.....3".....	\$ 54.00
HSDEC4.....4".....	\$ 73.00
HSDEC5.....5".....	\$ 88.00
HSDEC6.....6".....	\$ 120.00

BOLT-ON END COUPLER



AMBC2.....2".....	\$ 38.00
AMBC3.....3".....	\$ 50.00
AMBC4.....4".....	\$ 62.00
AMBC5.....5".....	\$ 82.00
AMBC6.....6".....	\$ 100.00

OTHER FITTINGS AND SIZES AVAILABLE; CALL FOR PRICE.

CHECK VALVE

CHEMIGATION CHECK VALVE

- Flanged Connection
- NRCS Approved Back-Flow Preventer



P1775-60.....3".....	\$ 427.00
P1775-61.....4".....	\$ 440.00
P1778-61.....6".....	\$ 507.00
P1778-62.....8".....	\$ 585.00

HOOK STYLE VALVE OPENER



P1694-62.....3" x 3".....	\$ 130.00
P1694-64.....4" x 3".....	\$ 136.00
P1694-65.....4" x 4".....	\$ 140.00
P1694-72.....6" x 4".....	\$ 176.00
P1694-74.....6" x 6".....	\$ 202.00

RING-LOCK VALVE OPENER



P1716-65.....4" x 4".....	\$ 142.00
P1716-72.....6" x 4".....	\$ 174.00
P1716-74.....6" x 6".....	\$ 197.00
P1715-63.....8" x 6".....	\$ 332.00

HOOK & RING



P1034-01.....2".....	\$ 8.50
P1035-01.....3".....	\$ 9.00
P1036-81.....4".....	\$ 14.00
P1036-82.....5".....	\$ 15.00
P1036-83.....6".....	\$ 19.50

90° ELBOW



RLE904.....4".....	\$ 99.00
RLE906.....6".....	\$ 142.00
RLE908.....8".....	\$ 195.00

45° ELBOW



RLE454.....4".....	\$ 92.00
RLE456.....6".....	\$ 116.00
RLE458.....8".....	\$ 181.00

REDUCER



RLR64.....6" x 4".....	\$ 70.00
RLR86.....8" x 6".....	\$ 107.00

END TEE



RLET4.....4".....	\$ 108.00
RLET6.....6".....	\$ 162.00
RLET8.....8".....	\$ 240.00

LINE TEE



RLLT4.....4".....	\$ 108.00
RLLT6.....6".....	\$ 163.00
RLLT8.....8".....	\$ 240.00

PLUG



RLP4.....4".....	\$ 33.00
RLP6.....6".....	\$ 45.00
RLP8.....8".....	\$ 64.00

CLAMPING RING



PIERCE	
RLC4.....4".....	\$ 15.00
RLC5.....5".....	\$ 16.50
RLC6.....6".....	\$ 18.00
RLC8.....8".....	\$ 19.50
TRAVIS	
RLC3T.....3".....	\$ 20.00
RLC4T.....4".....	\$ 21.00
RLC5T.....5".....	\$ 22.00
RLC6T.....6".....	\$ 24.00
RLC8T.....8".....	\$ 26.00

HOSE TO COUPLER ADAPTER



RLHC4.....4".....	\$ 39.00
RLHC6.....6".....	\$ 56.00
RLHC8.....8".....	\$ 84.00

HOSE TO MALE END ADAPTER



RLHM4.....4".....	\$ 42.00
RLHM6.....6".....	\$ 64.00
RLHM8.....8".....	\$ 85.00

RISER VALVE & ACCESSORIES

FEMALE VALVE STUB



P1726-013".....	\$ 81.00
P1726-024".....	\$ 108.00
P1726-046".....	\$ 183.00
P1726-058".....	\$ 330.00

MALE VALVE STUB



P1729-013".....	\$ 68.00
P1729-024".....	\$ 87.00
P1729-046".....	\$ 147.00
P1729-058".....	\$ 296.00

WELD-ON STUB



P1724-013".....	\$ 45.00
P1724-024".....	\$ 55.00
P1724-046".....	\$ 89.00
P1724-058".....	\$ 218.00

REPLACEMENT COVER



P1059-013".....	\$ 6.25
P1060-014".....	\$ 7.00
P1061-015".....	\$ 18.00
P1062-016".....	\$ 25.00

STAINLESS ROD



P2086-033"- 4".....	\$ 17.00
P2086-045"- 6".....	\$ 21.00

STEM WASHER



497-043" - 6".....	\$ 0.50
--------	-------------------	---------

RISER TEE & VALVE

IPS for PVC Pipe; Epoxycoated Steel
• Gheen Risers Also Available

P1220-054"x4"x36".....	\$ 220.00
P1223-056"x6"x4"x36".....	\$ 278.00
P1224-056"x6"x6"x36".....	\$ 322.00



RISER ELBOW & VALVE

IPS for PVC Pipe; Epoxycoated Steel
• Gheen Risers Also Available

P1252-054"x4"x36".....	\$ 220.00
P1254-056"x4"x36".....	\$ 247.00
P1255-056"x6"x36".....	\$ 324.00
P1257-058"x6"x36".....	\$ 374.00



RISER TEE WITH ELBOW

IPS for PVC Pipe; Epoxycoated Steel
• Gheen Risers Also Available
• Air Vents on Page 24

WITH MPT ELL PORT FOR AIR VENT

P3571-034"x4"x4"x36".....	\$ 272.00
P3398-046"x6"x4"x36".....	\$ 345.00
P3348-046"x6"x6"x36".....	\$ 390.00



RISER ELL WITH ELBOW

IPS for PVC Pipe; Epoxycoated Steel
• Gheen Risers Also Available
• Air Vents on Page 24

WITH MPT ELL PORT FOR AIR VENT

P3345-044"x4"x36".....	\$ 275.00
P3395-046"x4"x36".....	\$ 320.00
P3341-056"x6"x36".....	\$ 375.00



ALUMINUM IRRIGATION PIPE

"Z" PIPE



Galv. for underground PVC pipe with 3" air vent port and 3/4" pressure gauge port.

P3336-214" x 52".....	\$ 440.00
P3336-236" x 52".....	\$ 478.00
P3336-248" x 52".....	\$ 800.00

ALUMINUM SPRINKLER RISER

Top; 3/4" Female Pipe Thread
Bottom; 1" Male Pipe Thread

AR751212".....	\$ 8.50
AR751818".....	\$ 9.75
AR752424".....	\$ 11.00
AR753636".....	\$ 13.75
AR754848".....	\$ 16.75
AR756060".....	\$ 19.25
AR757272".....	\$ 22.00



HOOK STYLE Universal

HSP330*3" x 30'.....	\$ Call For Price
HSP340*3" x 40'.....	\$ Call For Price
HSP430*4" x 30'.....	\$ Call For Price
HSP440*4" x 40'.....	\$ Call For Price
HSP530*5" x 30'.....	\$ Call For Price

RING-LOCK Universal

RLP430*4" x 30'.....	\$ Call For Price
RLP530*5" x 30'.....	\$ Call For Price
RLP630*6" x 30'.....	\$ Call For Price
RLP830*8" x 30'.....	\$ Call For Price

*ALL Aluminum Pipe ordered upon Request

*Non-Stocking Item

*NOTE: Lead time MAY exceed 4 Month



SCH. 40 PVC PIPE

PART #	SIZE	MAX PSI	PRICE
SCH40-501/2".....	600	Call
SCH40-753/4".....	480	Call
SCH40-11".....	450	Call
SCH40-1251 1/4".....	370	Call
SCH40-1501 1/2".....	330	Call
SCH40-22".....	280	Call
SCH40-33".....	260	Call
SCH40-44".....	220	Call
SCH40-66".....	180	Call
SCH40-88".....	160	Call

All purpose PVC pipe used for plumbing, etc.

SDR PVC PIPE

SDR 21 & 26 is a gasketed PVC pipe designed for underground mains. It is used for main lines in sprinkler systems, drip irrigation systems, etc. **Discount on full skids.**

SDR 26 (Max 160 PSI)

PART #	SIZE	PRICE
SDR26-33".....	Call
SDR26-44".....	Call
SDR26-66".....	Call
SDR26-88".....	Call

SDR 21 (Max 200 PSI)

PART #	SIZE	PRICE
SDR21-22".....	Call
SDR21-33".....	Call
SDR21-44".....	Call
SDR21-66".....	Call
SDR21-88".....	Call

ACCESSORIES

BLACK WELD-ON COUPLER

Includes Gasket!



P1007-41	2"	\$ 12.50
P1007-42	3"	\$ 14.00
P1007-43	4"	\$ 16.00
P1007-44	5"	\$ 18.00
P1007-45	6"	\$ 24.00
P1007-47	8"	\$ 32.00

BLACK WELD-ON HOSE MALE END



P1790-01	2"	\$ 8.00
P1790-02	3"	\$ 15.00
P1790-04	4"	\$ 16.00
P1790-06	5"	\$ 21.00
P1790-07	6"	\$ 23.00
P1790-08	8"	\$ 35.00

BLACK WELD-ON THREADED FEMALE



P2062-09	2"	\$ 7.00
P2062-11	3"	\$ 18.00
P2062-12	4"	\$ 23.00
P2062-13	5"	\$ 41.00
P2062-14	6"	\$ 57.00
P2062-15	8"	\$ 71.00

WELD-ON RINGLOCK MALE



P1678-02	4"	\$ 18.00
P1676-01	5"	\$ 21.00
P1676-02	6"	\$ 22.00
P1676-04	8"	\$ 28.00

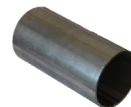
BLACK WELD-ON HALF NIPPLE



P2127-16	2"	\$ 6.50
P2127-24	3"	\$ 12.00
P2127-29	4"	\$ 14.00
P2127-33	5"	\$ 31.00
P2127-35	6"	\$ 32.00
P2127-37	8"	\$ 44.00

BLACK WELD-ON TUBING

(Same size as irrigation pipe)



DIA. x LEN.	
TUBE-2	2" x 8" \$ 5.75
TUBE-3	3" x 8" \$ 8.50
TUBE-4	4" x 8" \$ 10.00
TUBE-5	5" x 8" \$ 13.50
TUBE-6	6" x 8" \$ 14.75

WELD-ON TEE



SCH.40 STEEL

WT2	2"	\$ 19.33
WT3	3"	\$ 33.00
WT4	4"	\$ 55.00
WT6	6"	\$ 68.00

BLACK WELD-ON CONE



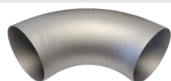
P1081-02	3" x 2"	\$ 6.50
P1081-03	4" x 2"	\$ 9.50
P1081-09	4" x 3"	\$ 7.50
P1081-14	5" x 4"	\$ 9.00
P1081-15	6" x 4"	\$ 12.50
P1081-19	6" x 5"	\$ 12.00
P1081-24	8" x 6"	\$ 20.00

SUCTION COUPLER



SC3	3"	\$ 65.00
SC4	4"	\$ 69.00
SC5	5"	\$ 103.00
SC6	6"	\$ 107.00
SC8	8"	\$ 168.00

WELD-ON ELBOW



SCH.40 STEEL

WE2	2"	\$ 8.13
WE3	3"	\$ 28.00
WE4	4"	\$ 35.00
WE6	6"	\$ 58.00

P1097-12 3" \$28.00
P1097-13 4" \$46.00
P1097-15 6" \$70.00

90° SUCTION ELBOW



SELL90-4	4"	\$ 166.00
SELL90-5	5"	\$ 228.00
SELL90-6	6"	\$ 243.00

GUN STATION



Female x Male Hook Style with MPT Outlet

GUNS3	3" x 3" x 2"	\$ 125.00
GUNS4	4" x 4" x 2"	\$ 150.00
GUNS6	6" x 6" x 3"	\$ 215.00

BUTTERFLY LINE VALVE

HOOK STYLE

P1812-61	4"	\$ 223.00
P1814-61	6"	\$ 288.00

RING-LOCK

P1821-61	4"	\$ 202.00
P1823-61	6"	\$ 270.00



PRIMING VALVE

B05923	3" x 4"	\$ 680.00
B05924	4" x 4" Flange	\$ 915.00
B05925	5" x 5" Flange	\$ 1,065.00
B05926	6" x 6" Flange	\$ 1,095.00



PIERCE HOOK

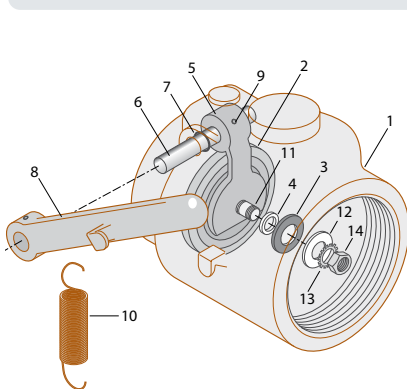


P1030-01	\$ 3.00
----------	---------

HOOK LATCH



BERKELEY PRIMING CHECK VALVE



Item #	Part Description	Model B05923		Model B05924	
		3" x 4" w/Lever	Price	4" x 4" w/Lever	Price
1	Body, Valve	L03671	\$670.28	L03665	\$697.32
2	Clack	S13414	\$124.74	S13404	\$236.38
3	Grommet	S13677	\$ 8.79	S13677	\$ 8.79
4	Spacer, Grommet	S13412	\$ 25.92	S13412	\$ 25.92
5	Clack Hinge,	B06142	\$326.04	B06143	\$333.32
6	Shaft and Handle Assembly				
7	O-Ring	S13755	\$ 8.79	S13755	\$ 8.79
9	Pin, Spring (2 Req.)	S13676	\$ 3.20	S13676	\$ 3.20
10	Spring	S13679	\$ 18.70	S14026	\$ 20.35
11	Stud	S16899	\$ 13.46	S16899	\$ 13.46
12	Washer, Flat	S23050	\$ 6.30	S23050	\$ 6.30
13	Washer, External Tooth	S23036	\$ 6.30	S23036	\$ 6.30
14	Nut, Hex	S23103	\$ 6.12	S23103	\$ 6.12

P1012-01	2" - 4" Pipe	\$ 2.50
P1012-02	5" - 8" Pipe	\$ 3.50

WADE KNOB



WRL24	2" - 4" Pipe	\$5.00
WRL56	5" - 8" Pipe	\$5.50
WRLB35	Bronze 2" - 8" Pipe	\$12.00

TICO "D" RING

Alum. Ring for Tico Style



TICO34	3" - 4" Pipe	\$ 7.50
TICO56	5" - 6" Pipe	\$ 8.50

STEEL FLANGE



FLS2	2"	\$ 13.00
FLS3	3"	\$ 14.50
FLS4	4"	\$ 20.00
FLS5	5"	\$ 23.00
FLS6	6"	\$ 25.00
FLS8	8"	\$ 42.00

PVC FLANGE



SLIP

FLPS2	2"	\$ 8.00
FLPS3	3"	\$ 23.00
FLPS4	4"	\$ 29.00
FLPS6	6"	\$ 45.00
FLPS8	8"	\$ 77.50

* Use half nipples for MPT

FLANGE GASKET



FLG3	3"	\$ 2.75
FLG4	4"	\$ 3.25
FLG6	6"	\$ 4.75
FLG8	8"	\$ 5.50